

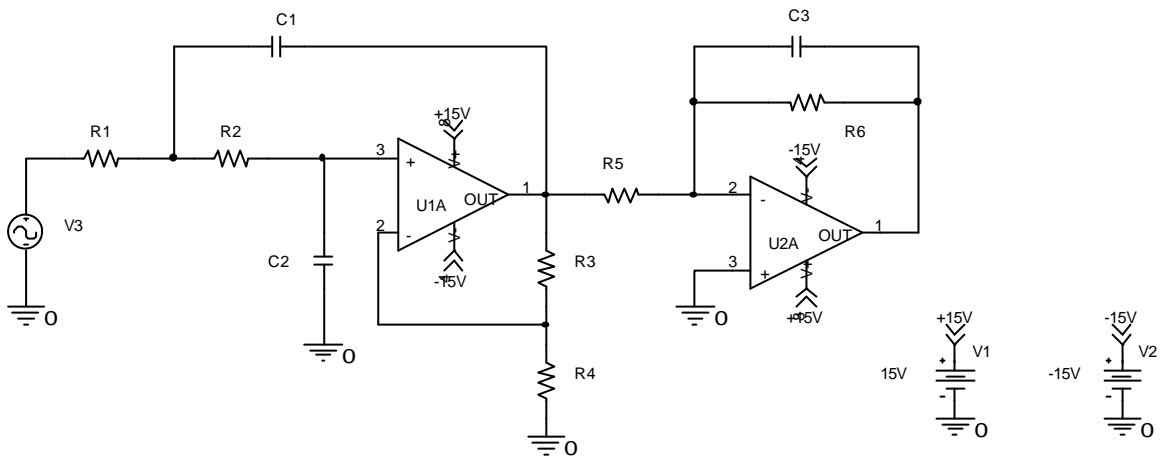
2000

1

II

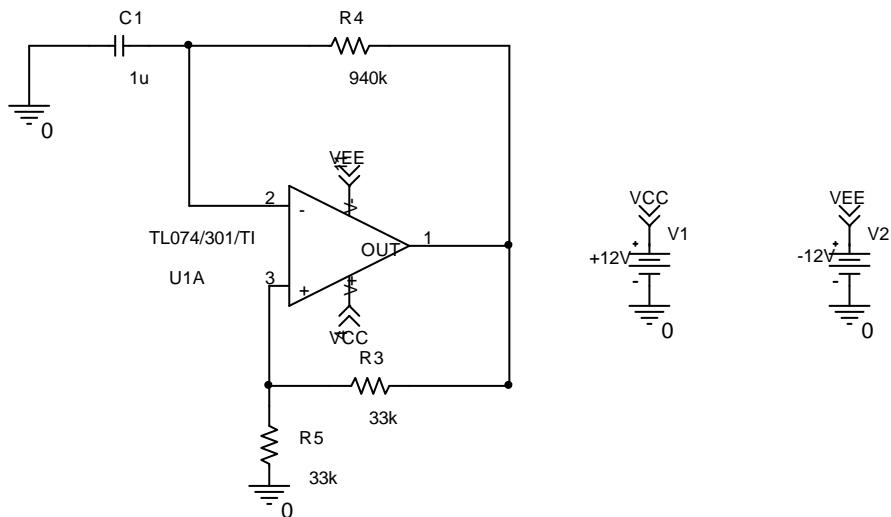
20

- (1) 가 가 100 Hz 3 1dB ripple Chebyshev
 가 . dc
 , $f_{01} = 0.997, Q_1 = 2.018, f_{02} = 0.494$.



- (2) Hysteresis $\pm 1V$, VTC(voltage transfer curve)
 가 10 V_{pp}, 100 Hz ,
 . Op amp $\pm 10 V$ 가 .

- (3) C1 v_C v_o
 . Op amp
 $\pm 10 V$ 가 .

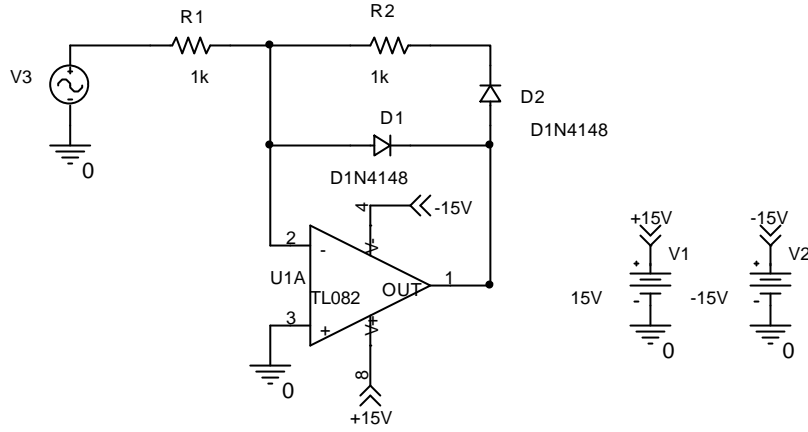


(4)

VTC (voltage transfer curve)

V3 가 2

V_{pp} , 1 kHz



(5)

(GBP) 1 MHz op amp

- (a) 100 3 dB 1 kHz
- (b) 100 3 dB 100 kHz